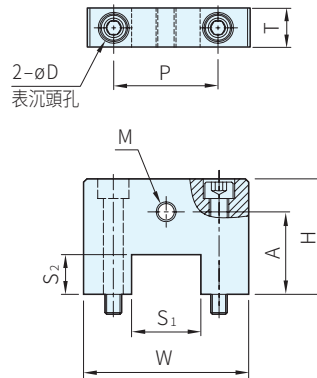
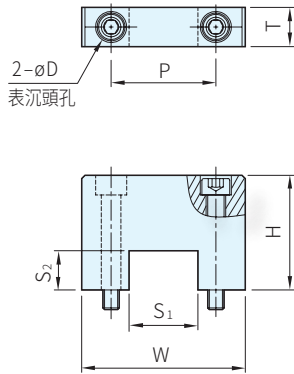




| 本體     |    | 螺絲     |    |
|--------|----|--------|----|
| 材質     | 處理 | 材質     | 處理 |
| SS400  | 染黑 | SCM435 | 染黑 |
| SUS304 | -  | SUSXM7 | -  |

WAT-LSE

WAT-LSEN



| 鐵          |    | 不銹鋼         |    | 線軌<br>尺寸 | 對應廠商產品 |                 |        | W  | H  | S <sub>1</sub><br><sup>+0.1</sup> <sub>0</sub> | S <sub>2</sub> | P  | T   | D     | 附屬品<br>螺絲 |
|------------|----|-------------|----|----------|--------|-----------------|--------|----|----|--|----------------|----|-----|-------|-----------|
| 品號         | 庫存 | 品號          | 庫存 |          | IKO    | NSK             | THK    |    |    |  |                |    |     |       |           |
| WAT-LSE-01 | △  | WAT-LSE-01S | △  | 15       | -      | -               | SRS15M | 50 | 30 | 16   | 11             | 32 | 12  | 5.5   | M5×35     |
| WAT-LSE-02 | △  | WAT-LSE-02S | △  |          | LWH15  | LS15AL          | HSR15A |    | 38 |  |                |    |     |       | M5×40     |
| WAT-LSE-03 | △  | WAT-LSE-03S | △  |          | -      | LH15AN          | -      |    | 43 |  |                |    |     |       | M5×45     |
| WAT-LSE-04 | △  | WAT-LSE-04S | △  | 20       | -      | -               | SRS20M | 50 | 35 | 17   | 12             | 32 | 12  | 5.5   | M5×40     |
| WAT-LSE-05 | △  | WAT-LSE-05S | △  |          | -      | LS20AL          | -      |    | 43 |  |                |    |     |       | M5×45     |
| WAT-LSE-06 | △  | WAT-LSE-06S | △  |          | LWH20  | LS20AL · LH20AN | HSR20A |    | 45 |  |                |    |     |       | M5×50     |
| WAT-LSE-07 | △  | WAT-LSE-07S | △  | 25       | -      | -               | SRS25M | 50 | 40 | 24   | 16             | 36 | 16  | 6.6   | M6×45     |
| WAT-LSE-08 | △  | WAT-LSE-08S | △  |          | LWH25  | LS25AL · LH25AL | HSR25A |    | 50 |  |                |    |     |       | M6×55     |
| WAT-LSE-09 | △  | WAT-LSE-09S | △  |          | LWH30  | LS30AL · LH30AL | HSR30A |    | 65 |  |                |    |     |       | M8×60     |
| WAT-LSE-10 | △  | WAT-LSE-10S | △  | 35       | LWH35  | LS35AL · LH35AL | HSR35A | 75 | 65 | 35   | 30             | 55 | 9.0 | M8×70 |           |

| 鐵           |    | 不銹鋼          |    | 線軌<br>尺寸 | 對應廠商產品 |                 |        | W  | H    | A    | S <sub>1</sub><br><sup>+0.1</sup> <sub>0</sub> | S <sub>2</sub> | P  | T  | M<br>(細牙) | D     | 附屬品<br>螺絲 |
|-------------|----|--------------|----|----------|--------|-----------------|--------|----|------|------|--|----------------|----|----|-----------|-------|-----------|
| 品號          | 庫存 | 品號           | 庫存 |          | IKO    | NSK             | THK    |    |      |      |  |                |    |    |           |       |           |
| WAT-LSEN-01 | △  | WAT-LSEN-01S | △  | 15       | -      | -               | SRS15M | 50 | 30   | 23.5 | 16   | 11             | 32 | 12 | M6×P0.75  | 5.5   | M5×35     |
| WAT-LSEN-02 | △  | WAT-LSEN-02S | △  |          | LWH15  | LS15AL          | HSR15A |    | 38   |      |  |                |    |    |           |       | M5×40     |
| WAT-LSEN-03 | △  | WAT-LSEN-03S | △  |          | -      | LH15AN          | -      |    | 43   |      |  |                |    |    |           |       | M5×45     |
| WAT-LSEN-04 | △  | WAT-LSEN-04S | △  | 20       | -      | -               | SRS20M | 50 | 35   | 27.5 | 12   | 17             | 32 | 12 | M8×P1.0   | 6.6   | M5×40     |
| WAT-LSEN-05 | △  | WAT-LSEN-05S | △  |          | -      | LS20AL          | -      |    | 43   |      |  |                |    |    |           |       | M5×45     |
| WAT-LSEN-06 | △  | WAT-LSEN-06S | △  |          | LWH20  | LH20AN          | HSR20A |    | 45   |      |  |                |    |    |           |       | M5×50     |
| WAT-LSEN-07 | △  | WAT-LSEN-07S | △  | 25       | -      | -               | SRS25M | 50 | 40   | 32.5 | 24   | 16             | 36 | 16 | M8×P1.0   | 9.0   | M6×45     |
| WAT-LSEN-08 | △  | WAT-LSEN-08S | △  |          | -      | LS25AL          | -      |    | 50   |      |  |                |    |    |           |       | M6×55     |
| WAT-LSEN-09 | △  | WAT-LSEN-09S | △  |          | LWH25  | LH25AL          | HSR25A |    | 43.5 |      |  |                |    |    |           |       |           |
| WAT-LSEN-10 | △  | WAT-LSEN-10S | △  | 30       | LWH30  | LS30AL · LH30AL | HSR30A | 65 | 57   | 49.5 | 29   | 27             | 45 |    |           | M8×60 |           |
| WAT-LSEN-11 | △  | WAT-LSEN-11S | △  | 35       | LWH35  | LS35AL · LH35AL | HSR35A | 75 | 65   | 55.5 | 35   | 30             | 55 |    |           | M8×70 |           |

**Ps.** 備註

· 使用在線軌的防脫落和位置定位

**Wa.** 注意

· 以上產品是本公司自訂規格；記載之對應廠商產品，請貴客戶自行確認

訂貨：  交期：  天

WAT-LSE-01